



## Installation Instructions

**Important: Please read these instructions before starting work.**

1. Check that there are no buried pipes or cables before drilling and holes. Take extreme care when using electrical equipment near water.
2. Do not fix accessories onto newly painted surfaces as chemical reactions could cause discoloration to the products. (Please refer to the manufactures instructions.)
3. We recommend the use of a specialized drill bit when fixing accessories to tiled areas.

### **Supplied Mounting hardware:**

Allen key, screws and wall plugs.

### **Mounting Instructions:**

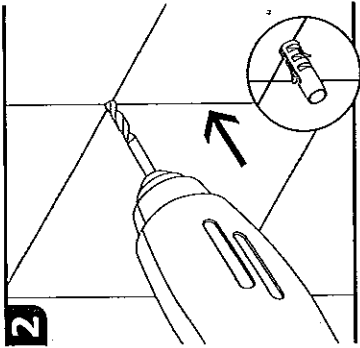
1. Establish the position for the accessories, making sure there is sufficient room.
2. Using the enclosed Allen key, remove the decorative cover, and the mounting plate, by loosening the set screw found on the post.
3. Hold the backplate in the required position onto the wall and mark through with a pencil. If two backplates are necessary, measure the distance between the two post centers, ensuring the marks are horizontal by use of a carpenter's level.
4. Drill holes to a minimum depth of 1" inch using a 3/16" inch drill bit. Gently insert the wall plugs into the hole either by hand, or by gently tapping with a rubber mallet, until they are flush with the wall. If need be, carefully increase the diameter of the hole to accommodate the anchor. The anchor must fit snugly into the wall to assure a secure fixation of the mounting plate.
5. Fix the mounting plate to the wall by screwing the supplied screws through the oblong holes and into the anchors. Replace the decorative cover, then the post, making sure that the set screw points directly downward before tightening.

### **Care Instructions:**

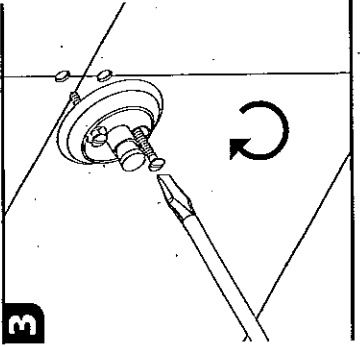
We recommend regular cleaning with a mild soap and dried with a soft cloth. The use of abrasive cleaners or bleaches will damage the finish.

If further assistance is required, please contact Customer Service at 1-888-825-7266 (9am-5pm EST)

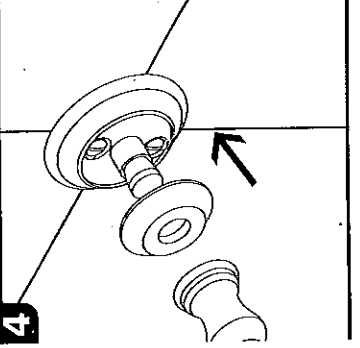
**INSTRUÇÕES DE MONTAGEM · MONTAGEANLEITUNG · INSTRUCCIONES DE MONTAJE · INSTRUZIONI DI MONTAGGIO**



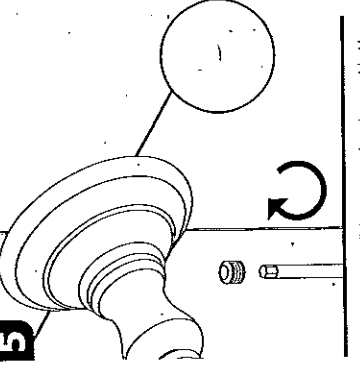
**GB** Drill the holes using a masonry drill  $\varnothing$  6 mm (1/4")  
**FR** Perforer les trous dans le mur, utilisant un foret pour chevilles de  $\varnothing$  6 mm (1/4"). Ensuite, introduisez les chevilles (fournies) dans les trous.  
**DE** Bohren Sie ein Loch für einen  $\varnothing$  6 mm (1/4") Dübel in die Wand. Stecken Sie die mitgelieferten Dübel in die Bohrer.  
**ES** Agujere la pared, utilizando una broca para un tornillo de  $\varnothing$  6 mm (1/4"). Coloque los pasavientos (fornidos) en los agujeros.  
**PT** Fure a parede, utilizando uma broca para um bucho de  $\varnothing$  6 mm (1/4"). Coloque as buchas (fornecidas) nas furas.



**GB** Screw the back plate on to the wall with the screws provided.  
**FR** Vissez les vis (fournies) afin de fixer la plaque de fixation au mur.  
**DE** Befestigen Sie die Befestigungselemente an der Wand. Nutzen Sie die mitgelieferten Schrauben anzuleiten.  
**ES** Apriete los tornillos (fornidos) fijando el espejo a la pared.  
**PT** Aperte os parafusos (fornecidos) fixando o espelho de fixação à parede.



**GB** Fit the item on to the back plate with the selected finish combination ring.  
**FR** Embotelez l'article sur la rosace de fixation, choisissant l'anneau avec la finition prétendue.  
**DE** Befestigen Sie das Produkt an der Befestigungselemente. Verwenden Sie hierzu den Ring Ihr Wahl.  
**ES** Encaje el producto en el espacio de fijación, seleccionando el anillo de acabado deseado.  
**PT** Encaixe o produto no espaço de fixação, seleccionando o anel de acabamento pretendido.



**GB** Tighten the fixing screw using the provided key.  
**FR** Serrez l'assise avec la clef fournie afin de fixer l'article.  
**DE** Befestigen Sie das Produkt, indem Sie den Stift mit Hilfe des mitgelieferten Schlüssel anziehen.  
**ES** Fije el producto apretando el perno (clave suministrada).  
**PT** Fixe o produto apertando o perno (chave fornecida).



**KINGSTON**

- 66311 66342
- 66312 66384
- 66320 66385
- 66322 66396
- 66324
- 66325
- 66335
- 66340

